



## Frost Units

for air temperature monitoring

## QAF81...

- Robust aluminium die-cast housing
- Responds to temperature change sensed over any 30 cm length of capillary
- Small switching differential
- Good repeatability
- Setpoint adjustment (–5...+15 °C)
- Protection standard IP54 (65)

### Use

The frost unit QAF81... for air-side monitoring of the temperature of LTHW heating coils in ventilation and air conditioning systems is used to prevent frost damage. It has a small switching differential and good repeatability. The reset occurs automatically (manual reset required with QAF81.6M).

### Typical applications

The frost unit can be used to initiate the following frost protection functions:

- Stop fan
- Close outside air dampers
- Open heating coil valve 100 %
- Start heating coil pump
- Switch off chiller (condenser) and humidifier
- Trip visual and/or audible frost alarm

## Type summary

| Typ reference   | Reset                          | Capillary length |
|-----------------|--------------------------------|------------------|
| <b>QAF81.3</b>  | automatic reset                | 3 m              |
| <b>QAF81.6</b>  | automatic reset                | 6 m              |
| <b>QAF81.6M</b> | with lock-out and manual reset | 6 m              |

## Accessories

| Name                            | Typ reference |
|---------------------------------|---------------|
| Capillary tube clamp (6 pieces) | <b>FK-TZ1</b> |

## Ordering and delivery

When ordering, please give name and type reference, e.g. frost unit **QAF81.6M**.

The QAF81... frost unit is supplied complete with **FK-TZ1** (capillary tube clamps).

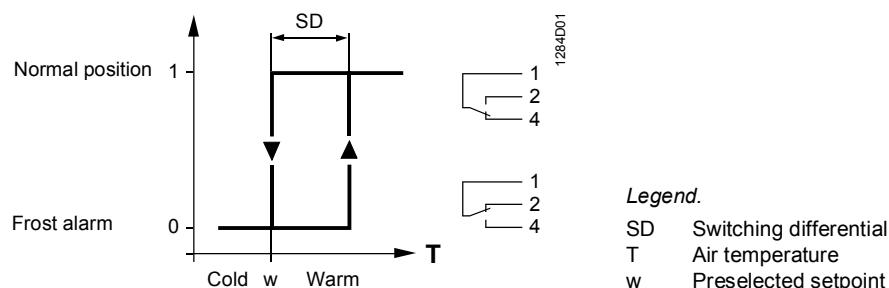
If necessary a **M20** cable gland for cable entry of the **M20x1.5** type can be fitted to achieve class **IP65**. This cable gland is **not** supplied with the delivery.

## Technical design

The frost unit QAF81... trips when the temperature drops below the selected setpoint over a capillary length of 30 cm.

An automatic reset occurs when the temperature rises above the setpoint again (manual reset required with QAF81.6M).

The (R134a) gas-filled capillary and the diaphragm assembly together form the measuring element, which is mechanically linked to the micro-switch. The temperature is measured over the full length of the capillary.



## Mechanical design

The frost unit QAF81... has the following parts:

- Die-cast aluminium housing with removable cover
- Mechanical setpoint adjuster with scale in °Celsius and °Fahrenheit (setpoint adjustment screw can be locked mechanically)
- Micro-switch for change-over contact
- Sensor unit with diaphragm assembly and copper capillary
- Capillary filled with R134a gas
- The QAF81.6M has a manual reset button

## Engineering notes

---

### *Withdrawable tray:*

It is recommended that the frost unit QAF81... should be installed on a purpose-built withdrawable tray directly downstream of the heating coil. The connecting cable must be long enough to enable the tray to be inserted and removed without difficulty.

For heating coils with very large cross-sections, a number of frost units can be fitted and connected in series. In this case, the setpoint must be set individually on each frost unit.

## Fitting notes

---

### Frost thermostat

The ambient temperature affecting the frost unit housing (with the test loop) must be at least 2 °C above the pre-selected setpoint. If this cannot be guaranteed (e.g. outdoors or in exposed spaces), the housing and test loop must be installed inside the supply air unit.

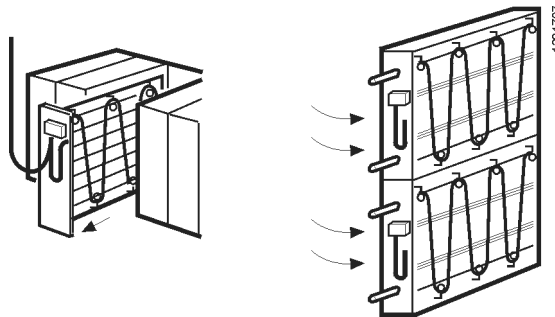
### Capillary

The capillary must be mounted on the downstream side of the heating coil (and on the upstream side in the case of coiling coils). It should be looped diagonally across the heat exchanger pipes at a distance of approximately 5 cm, and should cover the entire area evenly. For test purposes, it is advisable to leave a loop of approximately 20 cm directly beneath the housing outside the entry to the duct.

To prevent damage to the capillary it should be protected by grommets or similar where it passes through metal walls.

To prevent damage to the capillary, a minimum bending radius of 20 mm must be ensured.

Mounting is easier if the capillary tube clamps (FK-TZ1 or AQM63.3) are used.



## Commissioning notes

---

After removal of the locking screw (under the housing cover) the setpoint can be adjusted from above with a screwdriver.

### Frost simulation

To simulate frost conditions, the test loop can be immersed in a vessel of iced water.

To simulate frost with the frost unit QAF81.6M, push in the reset button (on the housing base).

## Maintenance notes

---

The frost unit is maintenance-free.

Correct operation of the device can be checked by immersing the test loop in a vessel of iced water.

## Disposal notes

---



The devices are considered electronics devices for disposal in terms of European Directive 2012/19/EU and may not be disposed of as domestic waste.

- Dispose of the device via the channels provided for this purpose.
- Comply with all local and currently applicable laws and regulations.

## Technical data

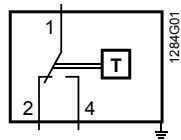
---

|  |  |
|--|--|
| Setpoint adjustment range $W_h$<br>Factory setting $w$   | -5...+15 °C (23...59 °F)<br>5 °C (41 °F)   |
| Switching differential SD<br>Repeatability   | $2 \pm 1$ °C ( $3.6 \pm 1.8$ °F)<br>$\pm 0.5$ °C ( $\pm 0.9$ °F)   |
| Responsive length of sensor  | Approx. 0.3 m  |
| Capillary length   | refer to "Type summary"  |
| Type of switch<br>Contact rating   | Single pole change-over<br>AC 250 V, 15(1.2) A<br>DC 30 V, 15(1.5) A   |
| Reset mechanism  | QAF81.3, QAF81.6    Automatic<br>QAF81.6M            Manual  |
| External supply line protection (EU)   | Fuse slow max. 10 A<br>or<br>Circuit breaker max. 13 A<br>Characteristic B, C, D according to EN 60898   |
| Admissible medium<br>Orientation   | Air<br>Any   |
| Electrical connection<br>Screw terminals for<br>Cable entry  | 1.5 mm <sup>2</sup><br>Threaded M 20 x 1.5   |
| Protection class<br>Protection degree of housing<br>with cable gland (M20x1.5 IP65)  | I to EN 60 730-1<br>IP54 to EN 60 529<br>IP65 to EN 60 529 (not included as standard)  |
| Product standard   | EN 60730-1   |
| EU Conformity (CE)   | CA1T1284xx*)   |
| Environmental compatibility  | The product environmental declarations OE-T-99.41767d and 017_OE-T-99.41767e <sup>*)</sup> contain data on RoHS compliance, materials composition, packaging, environmental benefit and disposal |
| Ambient temperature<br>Max. operating temperature<br>Min. operating temperature<br>Storage<br>Destruction limit $t_{smax}$ | 70 °C (158 °F)<br>$w + \text{min. } 2$ °C (min. 3.6 °F)<br>-30...+70 °C (-22...+158 °F)<br>140 °C (284 °F)   |
| Materials<br>Housing<br>Bellows housing<br>Capillary<br>Capillary contents<br>Contacts                                     | Die-cast aluminium<br>Copper<br>Copper<br>Freon R134a<br>Ag (Silver)   |
| Weight (including packaging)   | 0.9 kg   |
| Maintenance  | None required  |

\*) The documents can be downloaded from <http://siemens.com/bt/download>.



## Connection terminals

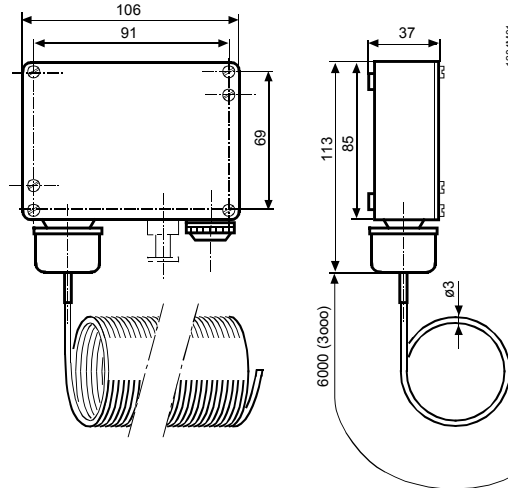


### Legend

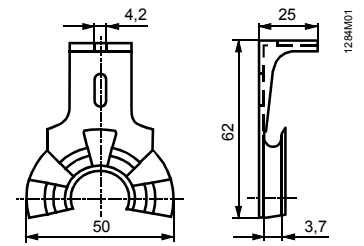
- 1 – 2 Frost alarm / sensor short circuit
- 1 – 4 Normal operation

## Dimensions (dimensions in mm)

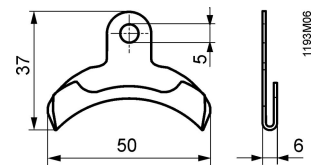
**QAF81...**



**AQM63.3**



or  
**FK-TZ1**



Issued by  
Siemens Switzerland Ltd  
Building Technologies Division  
International Headquarters  
Gubelstrasse 22  
6301 Zug  
Switzerland  
Tel. +41 41-724 24 24  
[www.siemens.com/buildingtechnologies](http://www.siemens.com/buildingtechnologies)

© Siemens Switzerland Ltd, 2005  
Technical specifications and availability subject to change without notice.