



FC721

Cerberus™ PRO

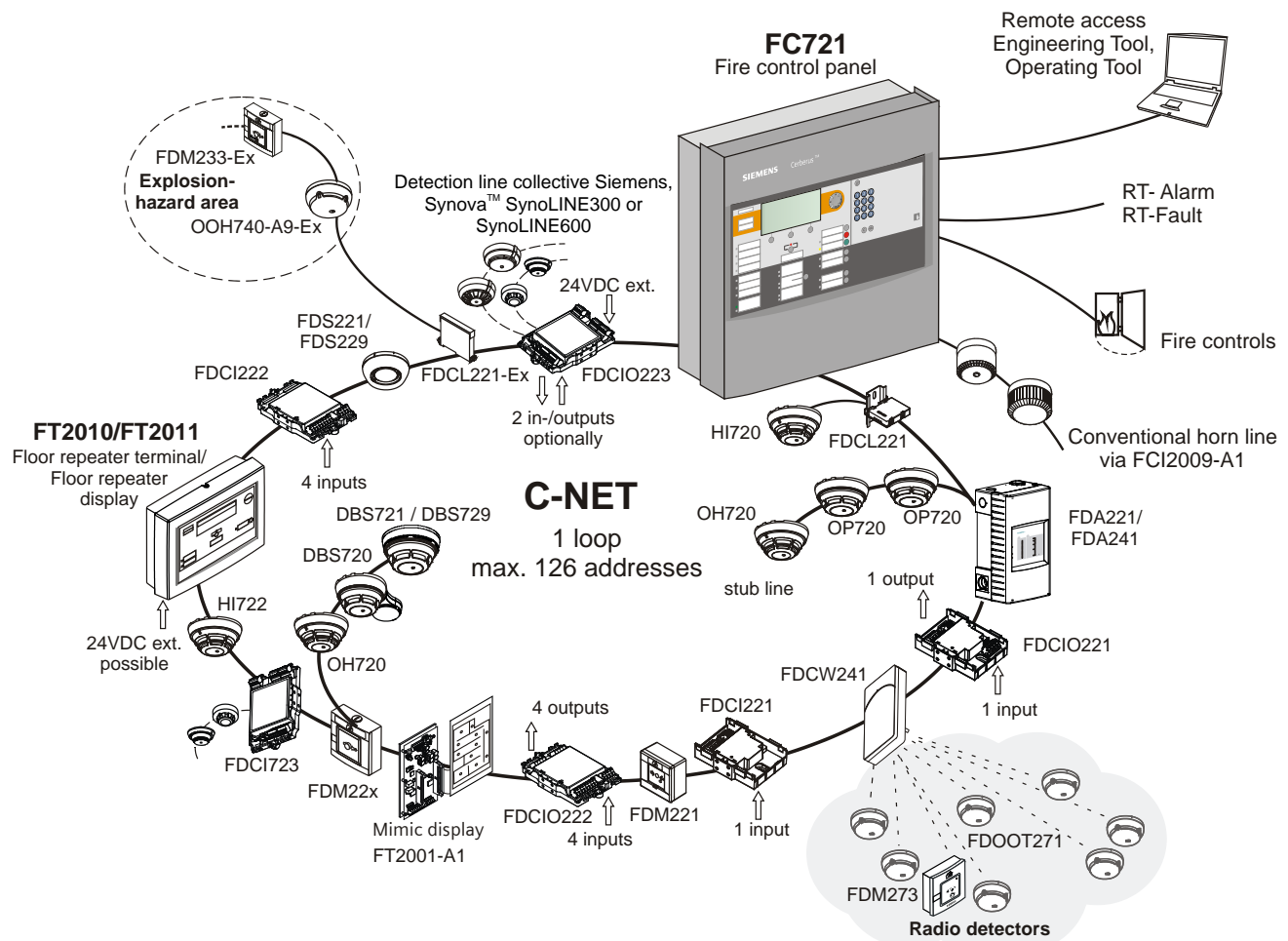
Fire control panel



Series FS720 (IP5)

- Compact, prefabricated, microprocessor-controlled fire control panel for the connection of up to 126 addresses
- Fire control panel can be used as stand-alone version
- Integrated emergency operation function
- Fast Ethernet interface for remote control service
- Integrated user-friendly operating unit
- Optional key switch
- Slot for a RS232 or a RS485 serial port
- Emergency power supply for up to 72 h emergency power time
- Detection and automatic read-in (auto configuration) of all C-NET devices, providing immediate simple operation
- Processes signals from the Cerberus PRO FD720 detector series
- Floor repeater displays, operating panels and alarm devices in the detector loop (C-NET)
- Flexible programming of complex applications and controls
- Stored data can be uploaded via remote access
- Firmware download of all processor controlled control panel components

System overview



Characteristics

- The FC721 is a compact fire control panel with an integrated operating unit that can process signals from FD720 devices.
- The control panel can be programmed with the user-friendly Cerberus-Engineering-Tool.
- All detector lines are monitored for ground faults.
- Adaptation of the user text directly on the terminal or with the software engineering tool.
- Up to 2000 events can be stored according to various criteria.
- Automatic summer/winter time change.

Functional elements

Operating unit

The following are located on the operating unit:

- CPU module and the electronics for the operating unit
- Ethernet connection
- Slots for RS232, RS485 modules
- Space for 'Kaba' or 'Nordic' key switch

Periphery board

The following are located on the periphery board:

- Connection terminals for C-NET loops, remote transmission (alarm, fault), horn output, programmable control inputs/outputs, monitored alarm and fault output, degrade supply, power supply

Power supply 70 W, emergency power supply

The power supply supplies the hardware and charges the batteries

- The batteries supply the emergency power in case of power failure

Configuration

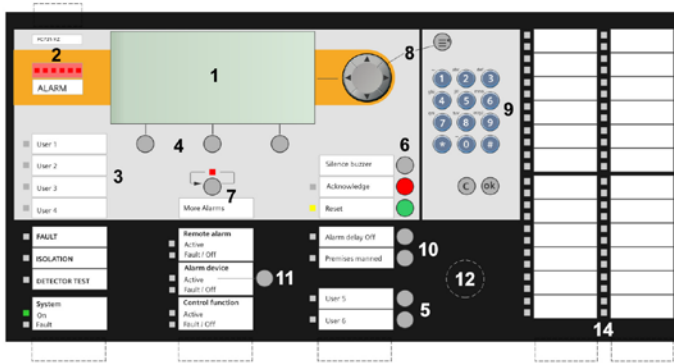
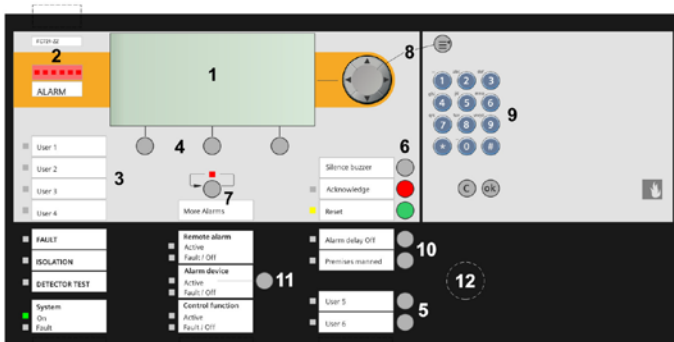
The FXS7212 Cerberus-Engineering-Tool permits the system to be adapted to specific customers' requirements.

Application ranges

The FC721 is ideally suited for smaller applications, e. g. in workshops, hotels, etc.

Display and operating elements

→ Each control panel has an integrated operating unit.



- 1 Large-format, backlit plain text display (LCD 256 x 112 dots) with detailed plain text information for all events that occur
 - Event type, event location, reaction texts, operating status, etc.
 - Operator guidance texts are displayed directly in alarm situations
 - Convenient operation via soft keys and navigation key
- 2 Alarm indicator lights red when an alarm even is received
- 3 4 programmable LEDs and div. display fields
- 4 Soft keys for direct menu operation
- 5 2 operation keys with LEDs, individually programmable
- 6 Keys → 'Buzzer off', 'Acknowledge' message and 'Reset' message
- 7 Key for scrolling through the alarm messages
- 8 Navigation and menu key for the display
- 9 Keypad for numerical and alphanumeric entries such as password, customer text, etc.
- 10 Function keys for alarm organization
- 11 Display and key field for alarming equipment
- 12 Optional key switch for operating access (Kaba or Nordic)
- 13 Label strips inserts.
- 14 With 24 indicator groups with each one red + yellow LED

Overview of FC721 fire control panels

Housing (Eco)

FC721-ZZ



1 Loop
With power supply (70 W)
Battery capacity max. 7 Ah

FC721-YZ

With 24 indicator groups
with each one red + yellow LED



1 Loop
With power supply (70 W)
Battery capacity max. 7 Ah

Expansion

FH7201-Z3

Housing (Eco)
430 x 398 x 80 mm



Empty housing
For various applications e. g.
for event printer

FH7202-Z3

Housing (Standard)
430 x 398 x 160 mm



Empty housing
For various applications e. g.
for additional power supply
Space for batteries
2 x FA2004-A1 (12 Ah) or
2 x FA2006-A1 (26 Ah)
+ Power supply kit (150 W)

Internal printer

FTO2001-A1

Event printer



installable in empty housings
RS232 module must be ordered
separately

External printer

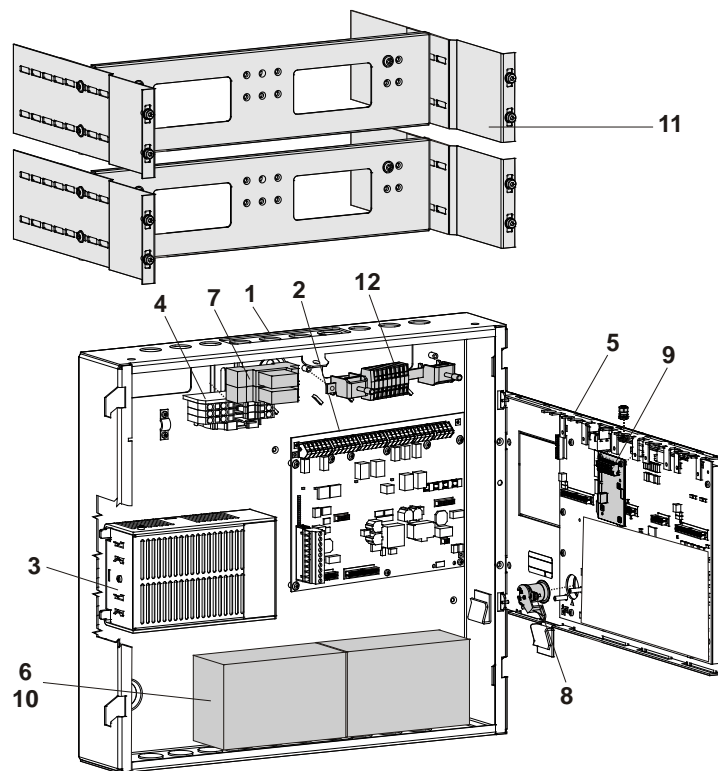
DL3750+

Matrix printer (Extern)
RS232 interface



RS232 module must be ordered
separately



Configuration FC721



Basic equipment		Designation	Notes
1	Rear (Eco)	FHA2001-A1	
2	Periphery board (1-Loop)	FCI2010-A1	
3	Power supply (70 W)	FP2001-A1	Pos. 1-5 → Basic equipment for each FC721 (Eco)
	Power supply (70 W)	FP2015-A1	
4	Mains terminals on DIN mounting rail TS35	–	Space for 2 relay modules
5	Operating unit	FCM7xx-xx	Combined system operating panel and CPU, incl. cover
6	Space for batteries	–	2 x 12 V / 7 Ah
Expansion			
7	Relay module	Z3B171	Relay for fire controls
8	Key switch (Kaba)	FTO2005-C1	For operating access rights
	Key switch (Nordic)	FTO2006-B1	
9	RS485 module (isolated) or	FCA2002-A1	For peripheral devices with RS485 port
	RS232 module(isolated)	FCA2001-A1	For stations with RS232 port
10	Battery (12V, 7Ah, VDS)	FA2003-A1	For emergency power supply
11	19" mounting kit	FHA2016-A1	For the installation in 3 rd party housings
12	Cable kit (communication)	FCA2014-A1	For flexible cable connections to the modules on the operating unit

Technical data

Mains voltage	AC 97...127 V / AC 196...253 V
Power supply	70 W
Operating voltage	DC 21...28.6 V
Operating current	max. 2.5 A
Battery capacity	2 x 12 V, 7 Ah
Battery monitoring	yes
Mains monitoring	yes
Connectable detector series	Cerberus PRO FD720 (C-NET)
Number of lines	
– Loop or	1
– Stub lines	2
Number of addresses	max. 126
Integrated inputs/outputs	
– Relay output	
– RT alarm	1
– RT fault	1
– Monitored outputs	
– Alarm	1
– Fault	1
– Horn	1
– Free programmable inputs/outputs	4
Operating unit	integrated
Plug-in position for serial interfaces RS232, RS485	1
Mounting place for cable kit (communication)	1
Ethernet connection RJ45	1
Operating temperature	-8...+42 °C
Storage temperature	-20...+60 °C
Humidity (no condensation permitted)	≤95 % rel.
Dimensions (W x H x D)	
– Without cover cap	430 x 398 x 80 mm
– With cover cap	430 x 398 x 108 mm
Color	
– Housing	grey, ~RAL 7035
– Cover	grey, ~RAL-Design 000 50 00
Protection category (IEC 60529)	IP30
Standards	EN 54-2, EN 54-4
Approvals	
– LPCB	126bn/05
– FM	approved

09  0786	FC721	Siemens Switzerland Ltd; Gubelstrasse 22 CH-6301 Zug Technical data: see doc. A6V10210355
FC721 - Control and Indicating Equipment incl. FP2001 or FP2015 - 70W/24VDC Power Supply Equipment for use in fire detection and fire alarm systems installed in buildings		
305/2011/EU (CPR): EN 54-2 / EN 54-4 ; 2004/108/EC (EMC): EN 50130-4 / EN 61000-6-3 ; 2006/95/EC (LVD): EN 60950-1 ; 2011/65/EU (RoHS): EN 50581		
Declared performance and conformity can be seen in the Declaration of Performance and the EC Declaration of Conformity, which is obtainable via the Customer Support Center: Tel. +49 89 9221-8000 or http://siemens.com/bt/download		
DoP No.: 0786-CPR-20721; DoC No.: CED-FC721		
07  0786	FP2001	Siemens Switzerland Ltd; Gubelstrasse 22 CH-6301 Zug Technical data: see doc. 008837
FP2001 - Power Supply Equipment 24V/70W for use in fire detection and fire alarm systems installed in buildings		
305/2011/EU (CPR): EN 54-4 ; 2004/108/EC (EMC): EN 50130-4 / EN 61000-6-3 ; 2006/95/EC (LVD): EN 60950-1 ; 2011/65/EU (RoHS): EN 50581		
Declared performance and conformity can be seen in the Declaration of Performance and the EC Declaration of Conformity, which is obtainable via the Customer Support Center: Tel. +49 89 9221-8000 or http://siemens.com/bt/download		
DoP No.: 0786-CPR-20266; DoC No.: CED-FP2001		

FP2015 - Power Supply Equipment 24V/70W for use in fire detection and fire alarm systems installed in buildings

305/2011/EU (CPR): EN 54-4 ; 2004/108/EC (EMC): EN 50130-4 / EN 61000-6-3 ; 2006/95/EC (LVD): EN 60950-1 ; 2011/65/EU (RoHS): EN 50581

Declared performance and conformity can be seen in the Declaration of Performance and the EC Declaration of Conformity, which is obtainable via the Customer Support Center: Tel. +49 89 9221-8000 or <http://siemens.com/bt/download>

DoP No.: 0786-CPR-21302; DoC No.: CED-FP2015

Details for ordering

	Type	Part no	Designation	Weight
Fire control panels	FC721-ZZ	S54400-C32-A2	Fire control panel (1L)	8.900 kg
	FC721-YZ	S54400-C32-A3	Fire control panel (1L, 1LED)	9.000 kg
Expansion	Z3B171	BPZ:4843830001	Relay module 250 VAC / 10 A (1 relay)	0.042 kg
	FTO2001-A1	A5Q00010126	Event printer	0.250 kg
	–	A5Q00017619	Replacement printer rolls (10 rolls)	0.090 kg
	FTO2005-C1	A5Q00010113	Key switch (Kaba)	0.013 kg
	FTO2006-B1	A5Q00010129	Key switch (Nordic)	0.050 kg
	FCA2002-A1	A5Q00009923	RS485 module (isolated)	0.067 kg
	FCA2001-A1	A5Q00005327	RS232 module (isolated)	0.068 kg
	FCA2014-A1	A5Q00023027	Cable kit (communication)	0.224 kg
	FH7201-Z3	S54400-B72-A101	Housing (Eco)	5.700 kg
	FH7202-Z3	S54400-B70-A101	Housing (Standard)	7.500 kg
	FHA2016-A1	A5Q00020179	19" mounting kit	3.000 kg
	FN2006-A1	S54400-A109-A1	Fiber network module (SM)	0.770 kg
	FN2007-A1	S54400-A110-A1	Fiber network module (MM)	0.770 kg
	Additional power supply	FP2003-A1	A5Q00016005	Power supply kit (70 W)
FP2015-A1		S54400-B121-A1	Power supply (70 W)	1,300 kg
FP2004-A1		A5Q00020825	Power supply kit (150 W) for installation in empty housing	1.366 kg
Batteries	FA2003-A1	A5Q00019353	Battery (12 V, 7 Ah, VDS)	2.450 kg
	FA2004-A1	A5Q00019354	Battery (12 V, 12 Ah, VDS)	3.930 kg
	FA2006-A1	A5Q00019356	Battery (12 V, 26 Ah, VDS)	7.572 kg
External printer	DL3750+	A5Q00023962	Matrix printer (Extern)	7.300 kg
Spare part	–	A5Q00023963	Black typewriter ribbon for matrix printer DL3750+	0.078 kg